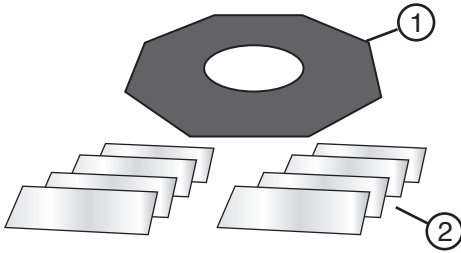


Solatube® Flashing Insulator Installation Instructions

Please read all warnings and instructions before beginning the installation.



Addendum to parts list

1. Flashing Insulator
2. Tape

QTY

1
8

Flashing Insulator seals the roof opening and prevents condensation forming on the flashing interior from exposure to humid air in unventilated spaces.

Step 1: Center Flashing Insulator to under side of flashing. Align the edges so that it lines up with the flashing edges (**Diagram A**).

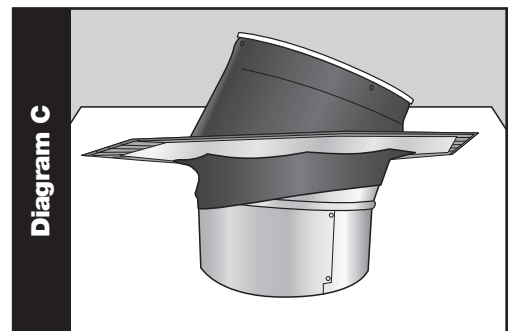
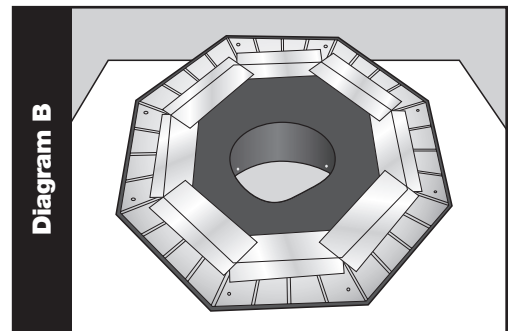
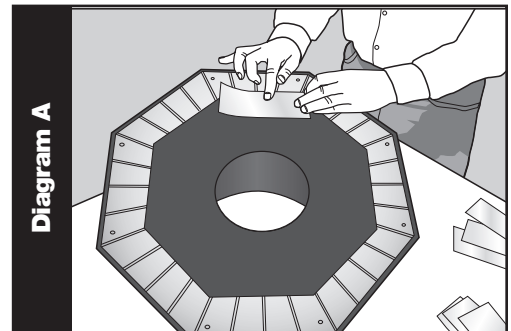
Step 2: Remove backing from the eight (8) pieces of tape one by one and bond the Flashing Insulator to the flashing. The tape should overlap the Flashing Insulator approximately 2 in (50 mm) (**Diagram B**).

Step 3: Follow regular flashing installation instructions. Carefully insert tube through flashing insulator (**Diagram C**).

Note: Solatube Models 330/750DS-O and 330/750DS-C Flashing Insulator is applied in similar fashion, but flashing shape is round.



**Solatube Models 330/750DS-O
and 330/750DS-C**



Warning: Do not expose Flashing Insulator to direct flame.