



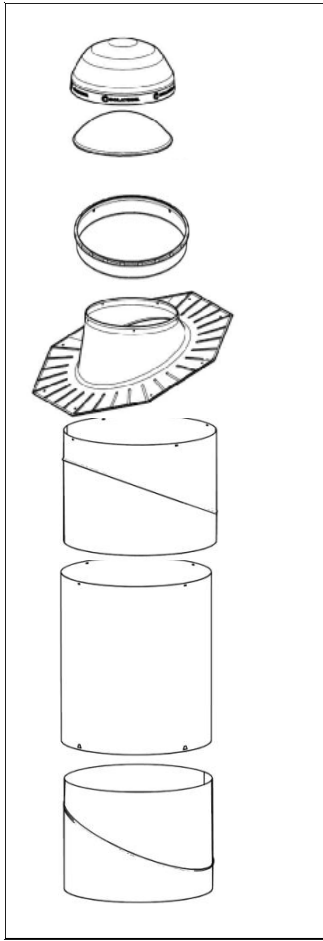
Solatube® Brighten Up® Series

Solatube® 290 DS Daylighting System

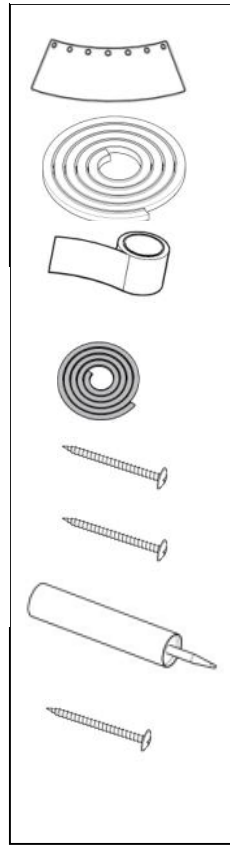
Installation Instructions. Transition Box Kit.

DS KIT ASSEMBLY REFER TO SEPERATE INSTRUCTIONS

Parts 1-5



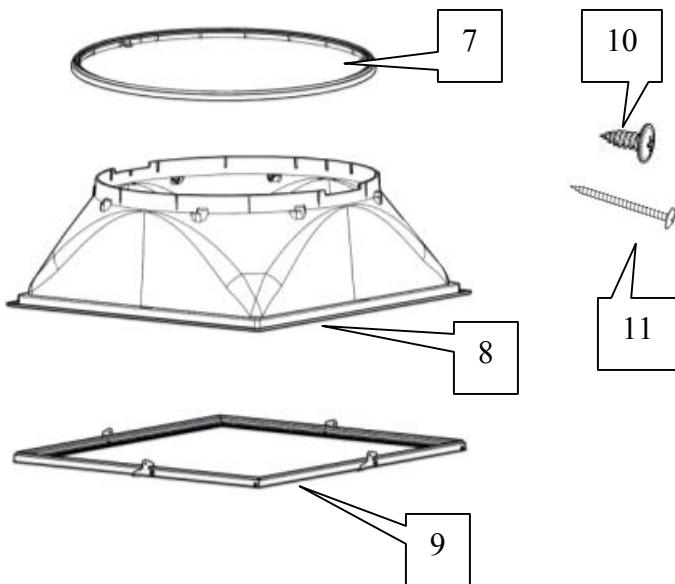
Parts 6



DS KIT HARDWARE

Parts List DS KIT ASSEMBLY *		Quantity
1	Dome With Raybender® 3000 Technology	
1a	Shock Inner Dome *†	
2	Roof flashing (Many Various Designs)	
3	Top Tube Assembly including: Dome Ring Dome Ring Seal, Spectralight®Infinity Top Tube with Angle Adapter.	
4	Spectralight® Infinity Extension Tube	
5	Bottom Tube Assembly including : Spectralight® Infinity Bottom Tube with Angle Adapter	
6	Seals, Hardware and Fasteners	
	a. Dome Ring Screws	
	b. Light Tracker™ Reflector	
	c. Flashing Screws	
	d. Roof Sealant	
	e. Expansion Joint Seal	
	f. Tube Screws	
	g. Foil tape 2 in (50mm) x 18ft (5.5M) Roll	
	h. Drywall Screws 36 x 1 5/8 (40mm)	
TRANSITION KIT PARTS LISTING :		
7	Effect Lens	1
8	Transition Box	1
9	Diffuser A. Optiview B. Prismatic	1
10	Tube Fixing Screw #8 x 20mm Button Head Self Drilling Screw CL3	8
11	Diffuser to Rafter Fixing Screw #6 x 40 Pan Head Self Drilling Screw CL3	8

TRANSITION KIT PARTS SHOWN BELOW:



Required Tools & Materials:

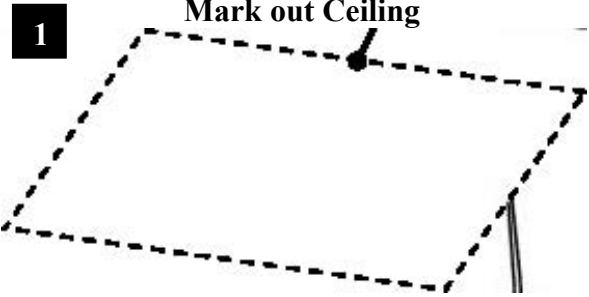
Keyhole Saw
Sabre or Reciprocating Saw
Hammer
Flat Bar
Utility Knife
Tape Measure
Caulking Gun
Screw Gun with Phillips Head
Lumber Crayon or Pencil
Magnetic Compass
Timber Packing Strips

* Components Shown not included in all kits, see label on box.
*† High Velocity Hurricane Zones: Shock Inner Dome must be installed with Dome. To meet HVHZ requirements, use a six inch no pitch flashing or a pitched flashing with a four inch turret extension.

For the most current installation instructions, please visit www.solatube.com.au

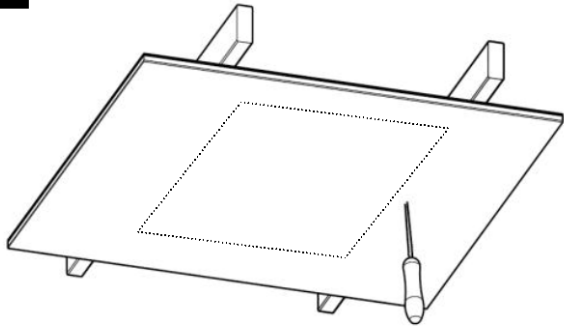
Solatube Australia | Unit 21, 1029 Many Road | Tingalpa | Queensland, +61 7 3907 8444 | 13 16 19 | www.solatube.com.au | Part No. IN-TB01-J

1 **Mark out Ceiling**



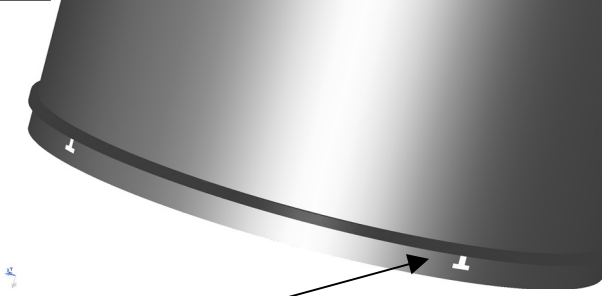
Mark out ceiling between ceiling joists 580mm x 580mm. Make sure it lies in the centre of ceiling joists. You may have to cut and block if the hole interferes with rafters. **PLEASE REFER TO NOTES AT THE BOTTOM 2 WINDOWS OF THIS PAGE...**

2 **Cut Ceiling Opening 580mm x 580mm**



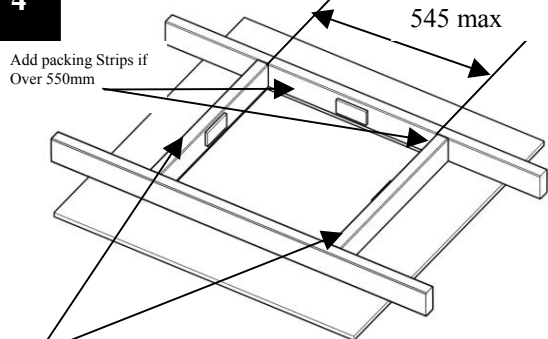
Carefully cut the ceiling material to the marked lines between ceiling joists.

3 **Apply Seal to Bottom Angle Adapter**



Install sealing tape carefully all around bottom tube. Making sure it is level with the top of the T slots.

4 **Install Noggins and Packing Strips**



Add packing Strips if Over 550mm

545 max

Fit 2 noggins between ceiling joists only in hand cut roofs and **relieve for latch** mechanisms for all roof types in 4 places .

INSTALLERS PLEASE NOTE THE COMMENTS & DIMENSIONS IN THE DRAWING BELOW...

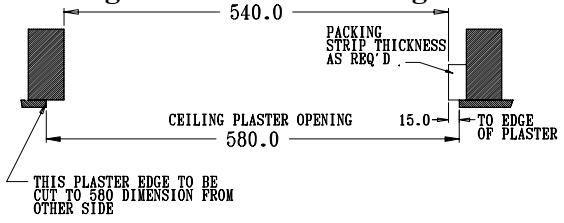
TRUSS FRAME ROOF
CAN NOT BE CUT AND BLOCKED

CHECK CENTRES BEFORE STARTING

TRUSS FRAME ROOF
IF WIDTH IS LESS THAN 530mm THIS
UNIT CAN NOT BE FITTED

HAND CUT ROOFS
CAN BE CUT AND BLOCKED IF JOIST
WIDTH IS BELOW 530mm

Ceiling Cut Out and Packing Details.



540.0

PACKING STRIP THICKNESS AS REQ'D.

CEILING PLASTER OPENING 580.0

15.0 TO EDGE OF PLASTER

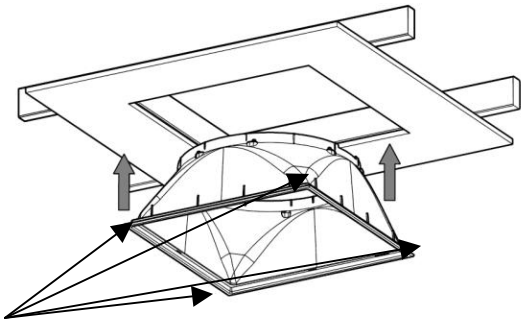
THIS PLASTER EDGE TO BE CUT TO 580 DIMENSION FROM OTHER SIDE

This shows the dimensions for making the ceiling cut out relative to ceiling joists.

USING PACKING ON 1 SIDE OF THE HOLE ONLY

5

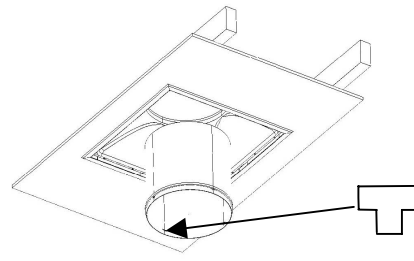
Insert Transition Box into Ceiling



Break off 4 transport lugs (1 in each corner) Then insert transition box and check fitment to beams and ceiling. Fix with screws. **Do not over tighten screws**

6

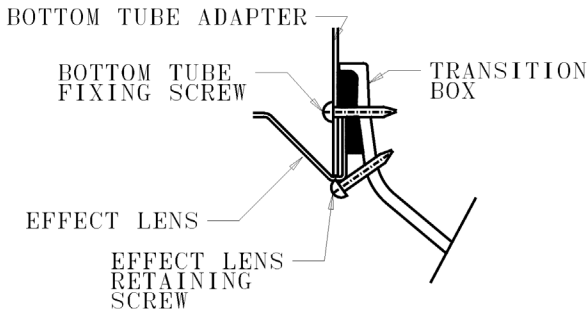
Install Bottom Angle Adapter.



Use the 4 tee slots for screw position to fix bottom angle adapter to the transition box. Rotate bottom tube assembly to align as per normal installations. Then fix with the 4 screws. **Do not over tighten screws.** See step 7 for assembly X section explanation drawing.

7

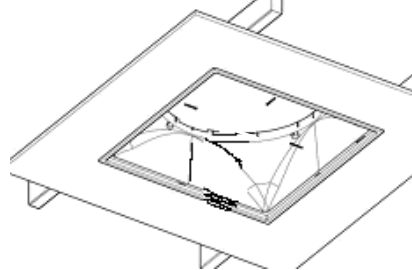
Installing Bottom Angle Adapter and Effect Lens X section.



X SECTION Showing seal between transition box and bottom angle adapter and the other seal of the effect lens. Note position of screw in tee slot to be close to the seal in the upper most position and the effect lens must be secured by 4 screws as shown.

8

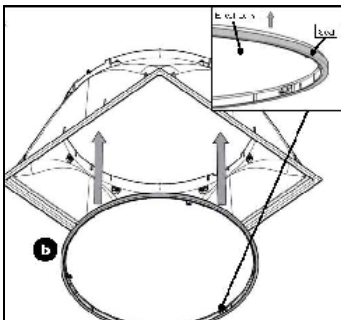
Fix 4 screws into Bottom Angle Adapter. Refer step 6+7 for position of screws.



Use the "T" slots for screw position to fix bottom tube adapter to transition box. Rotate bottom tube assembly first to align as per normal installation procedures.

9

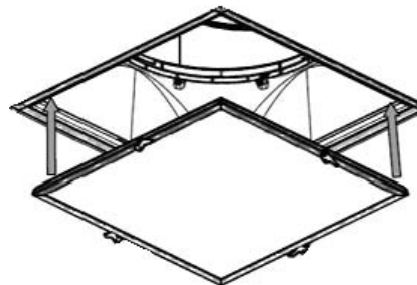
Install Effect Lens



Insert effect lens into transition box. Push in firmly all around sealing it evenly. Leave loose flap hanging down for easy lens removal and secure with 4 screws as shown in step 7 above.

10

Install Diffuser



Insert the diffuser and use the 4 latches to secure it to the transition box in the ceiling.