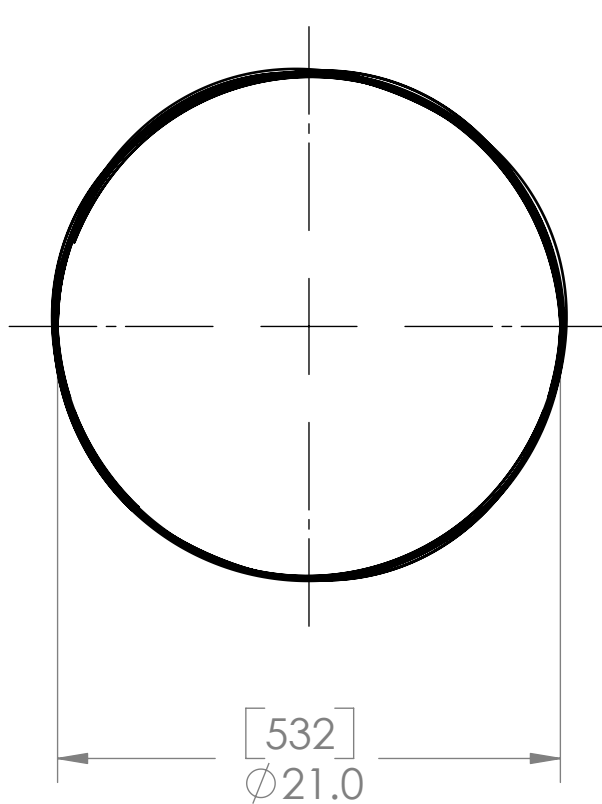
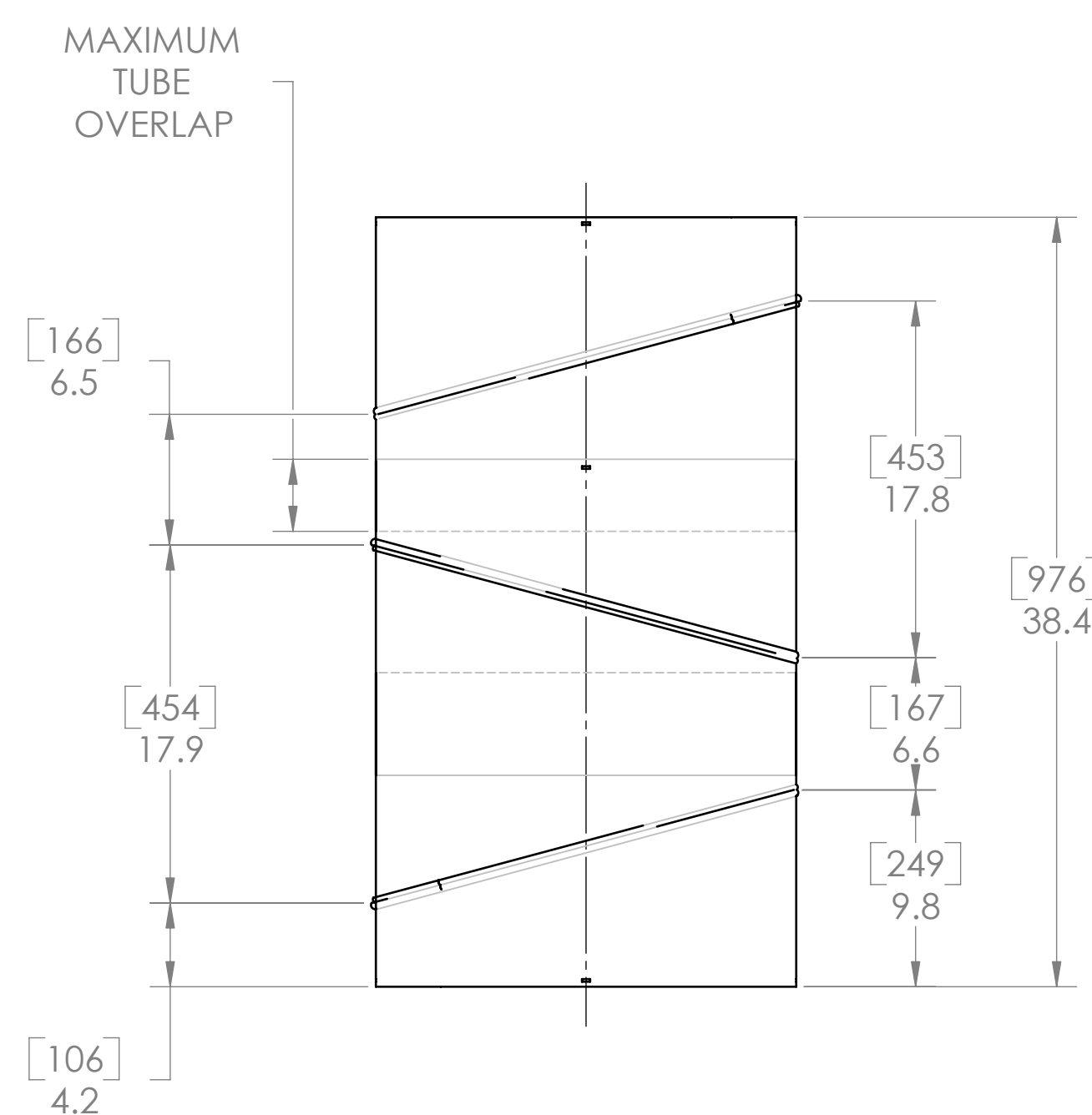
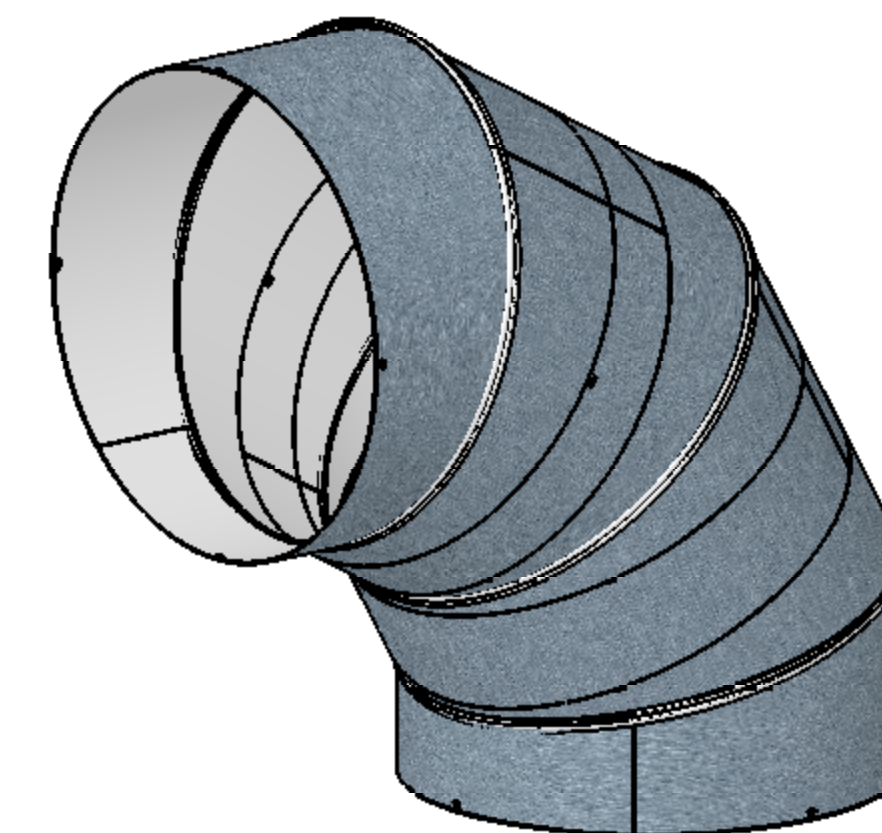


REVISIONS				
ECO	REV.	DESCRIPTION	DATE	INC.
	1		7/1/08	

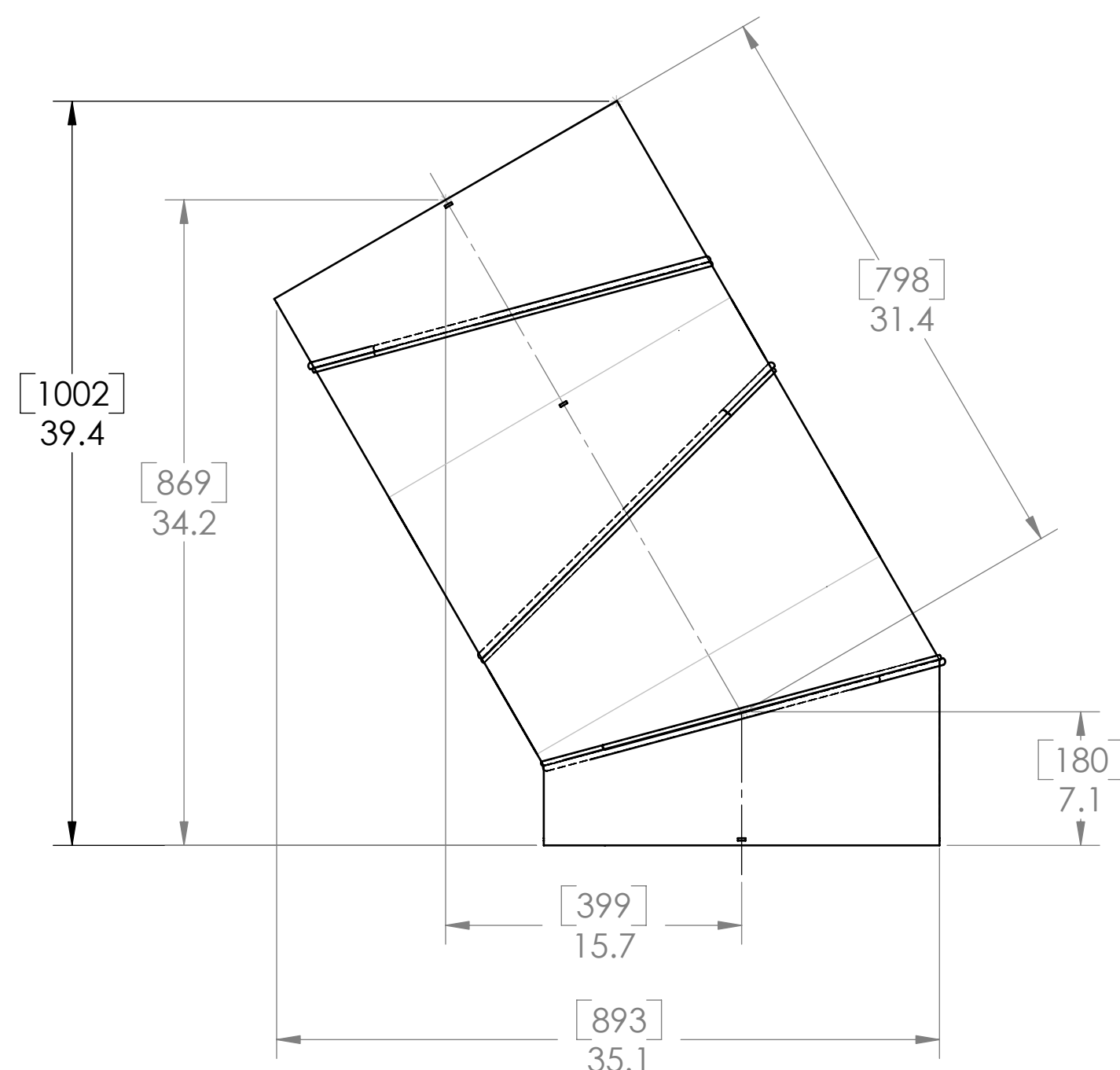
SOLATUBE 0-90 DEGREE EXTENSION TUBE FOR SOLATUBE 330 DS OR SOLATUBE 750 DS



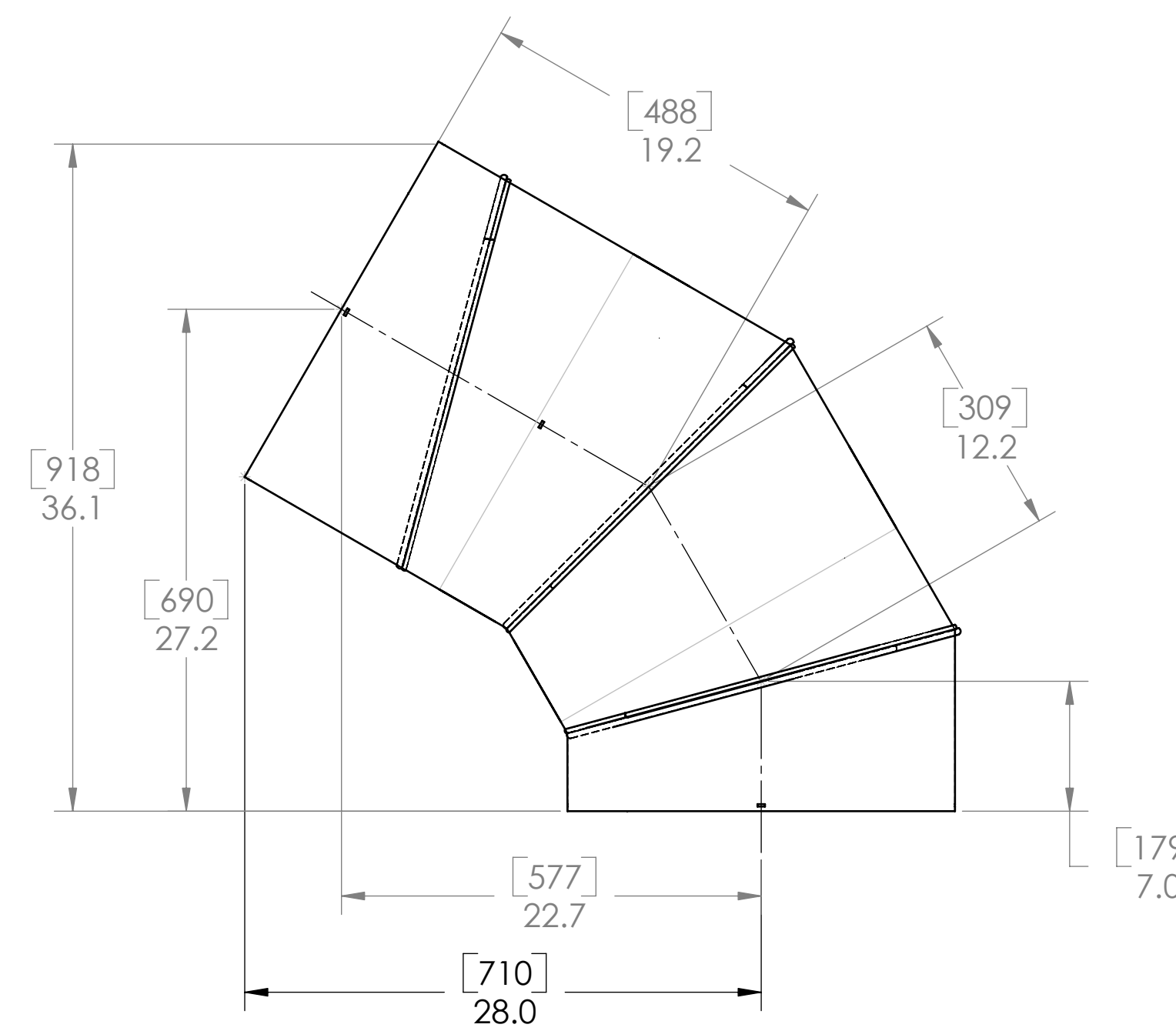
TOP VIEW
STRAIGHT



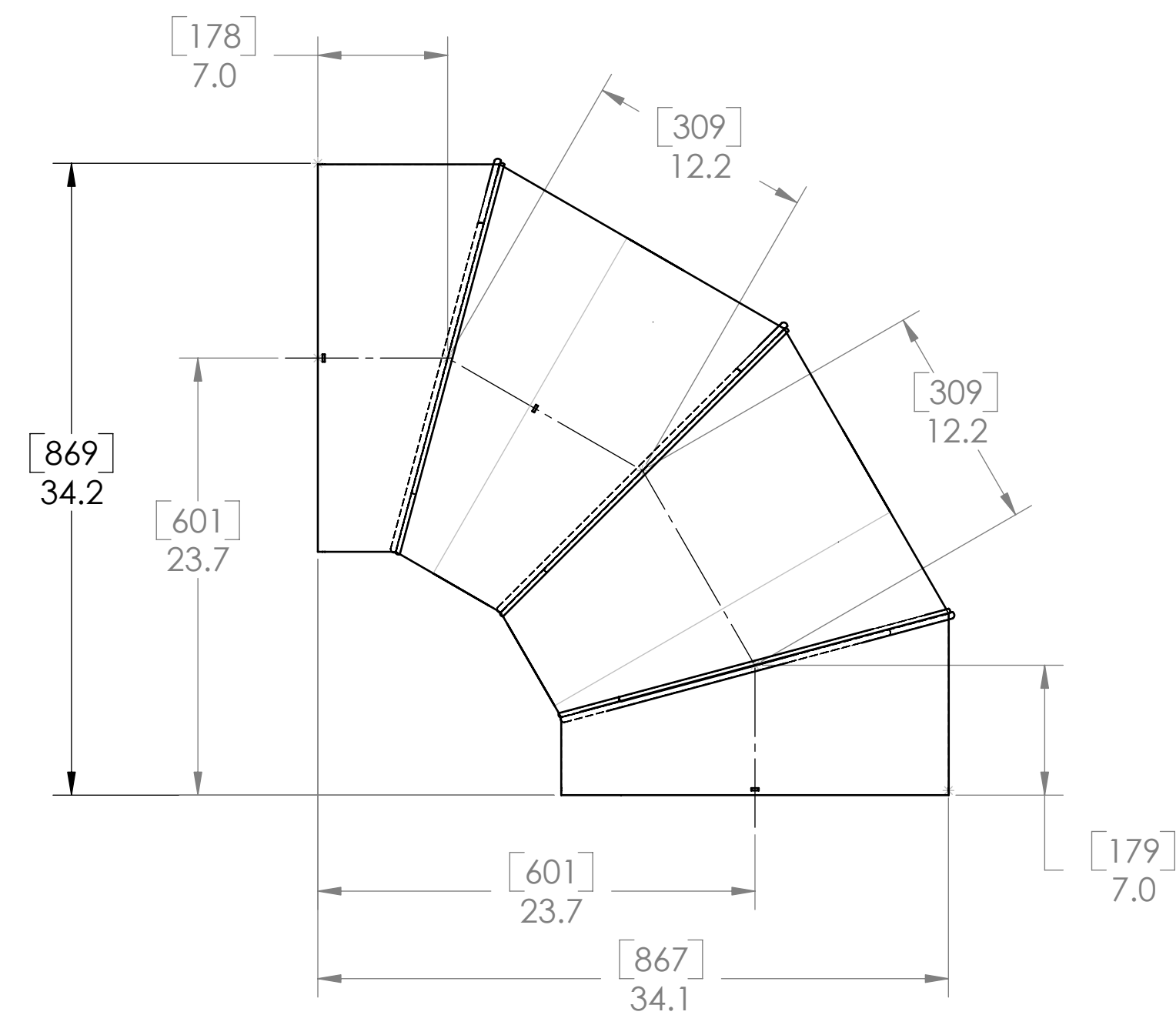
STRAIGHT



30° ANGLE



60° ANGLE



90° ANGLE

NOTES:

1. DIMENSIONS IN BRACKETS ARE METRIC UNLESS OTHERWISE SPECIFIED.
2. 6" MIN CLEARANCE SHOULD BE MAINTAINED FROM ALL SOLATUBE COMPONENTS AND OTHER PLENUM COMPONENTS.
3. ASSEMBLY REQUIRED; KIT CONTAINS THREE (3) 30° ANGLE ADAPTERS.
4. DIMENSIONS REFLECT MAXIMUM TUBE OVERLAP.

UNLESS OTHERWISE SPECIFIED:	
TOLERANCES	ANGULAR: ±0.5°
INCH	MILLIMETER
.X ± .2	.X ± .25
.XX ± .01	.XX ± .12
.XXX ± .005	.XXX ± .025
MATERIAL	---
FINISH	---
DO NOT SCALE DRAWING	

PROPRIETARY AND CONFIDENTIAL	
THE INFORMATION CONTAINED IN THIS DRAWING IS THE SOLE PROPERTY OF SOLATUBE. ANY REPRODUCTION IN PART OR AS A WHOLE WITHOUT THE WRITTEN PERMISSION OF SOLATUBE IS PROHIBITED.	
DRAWN BY	STEVENSON
CHECKED BY	---
APPROVED BY	---
DATE	7/1/08
DATE	---
DATE	---

2210 OAK RIDGE WAY VISTA, CALIFORNIA 92081-8341 PH (760) 597-4400	
TITLE: 0-90 DEGREE EXT. TUBE 330 DS OR 750 DS	
SIZE: D	DWG. NO.: WEB-750-90DEG-EXT
REV: 1	SHEET 1 OF 1